

BLE-Nano Board

Version 1.0

Index	Page
Power	1
MCU	2
CC2540	3

Sheet: Power

File: Power.sch

Sheet: MCU

File: MCU.sch

Sheet: CC2540

File: CC2540.sch



Sheet: /
File: BleNano.sch

Title:

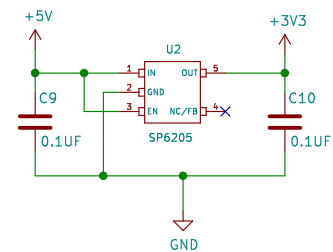
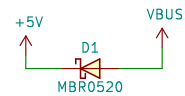
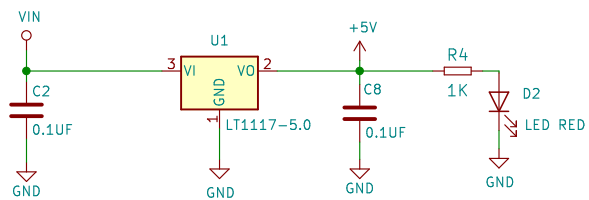
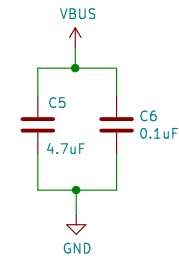
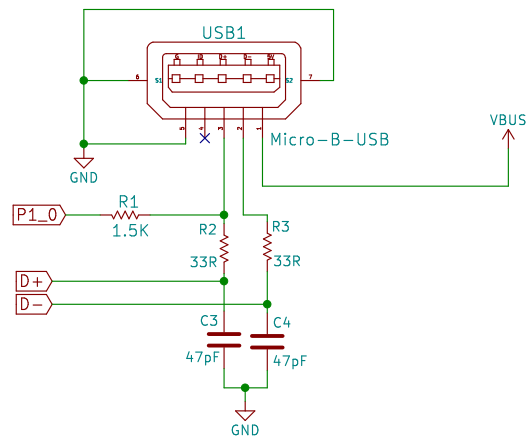
Size: A4

Date:

Rev:

KiCad E.D.A. kicad (5.0.0)

Id: 1/4



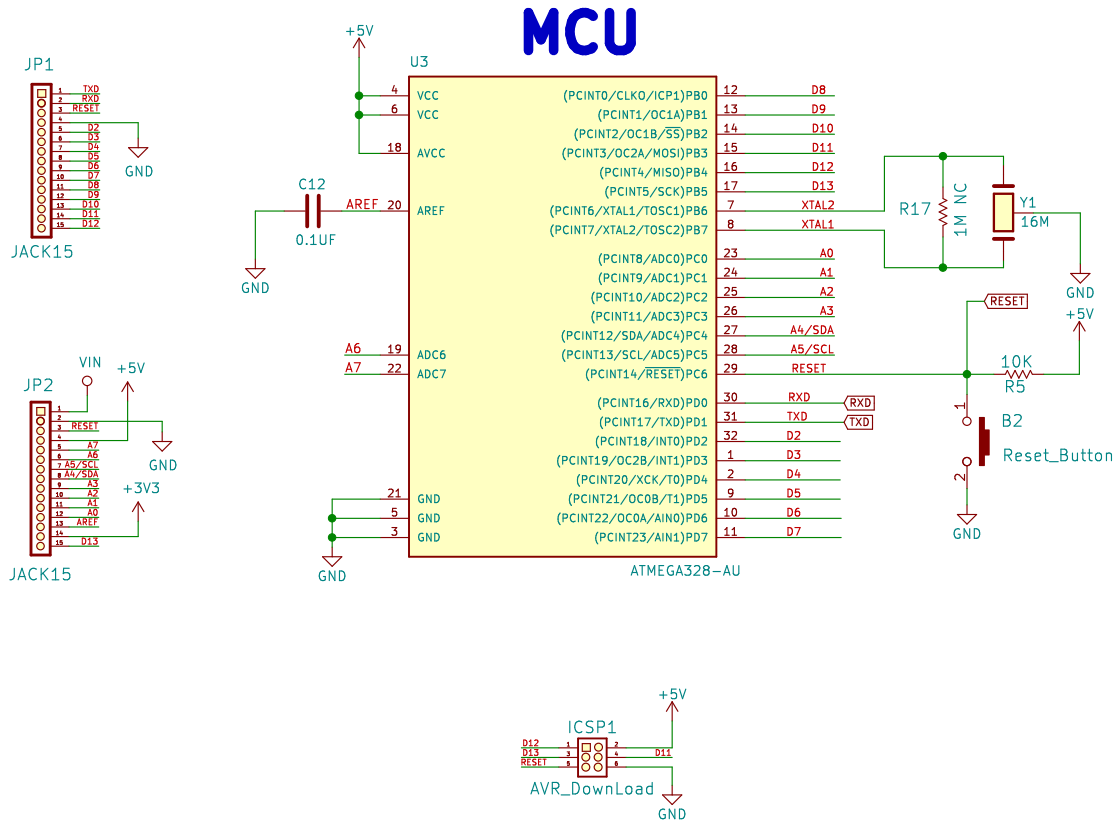
Sheet: /Power/
File: Power.sch

Title:

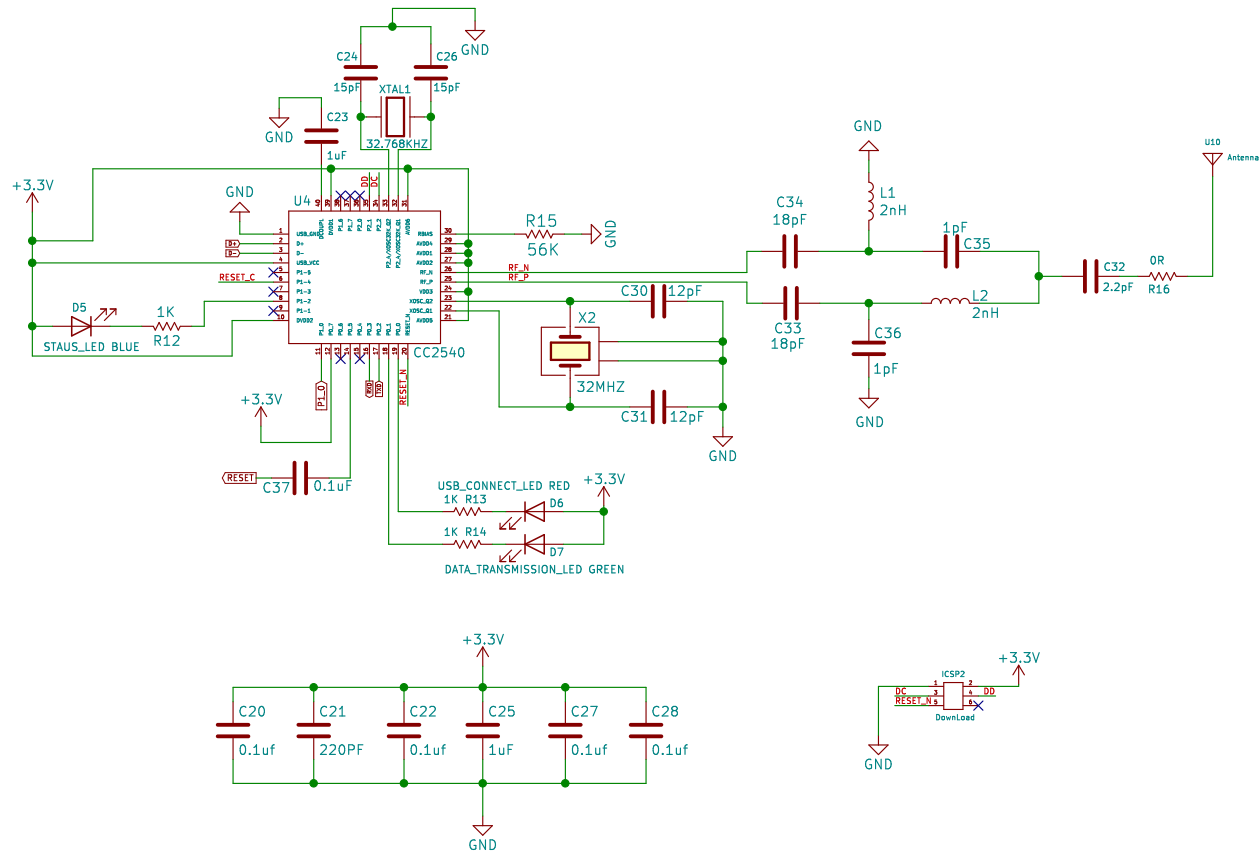
Size: A4
KiCad E.D.A. kicad (5.0.0)

Date:

Rev:
Id: 2/4



Sheet: /MCU/		Date:	
File: MCU.sch		Rev:	
Size: A4	KiCad E.D.A. kicad (5.0.0)	Id: 3/4	



Sheet: /CC2540/
File: CC2540.sch

Title:

Size: A4 Date:
KiCad E.D.A. kicad (5.0.0)

Rev:
Id: 4/4