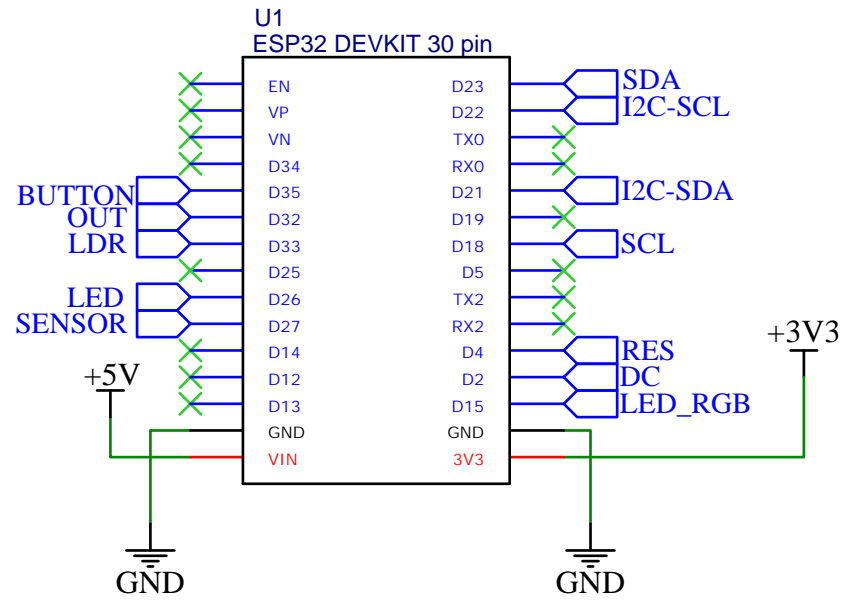
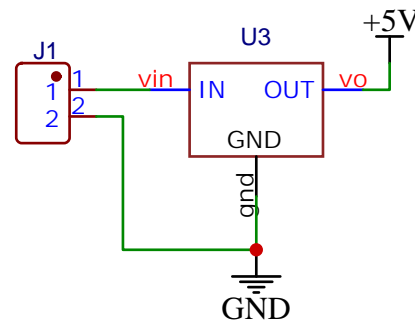


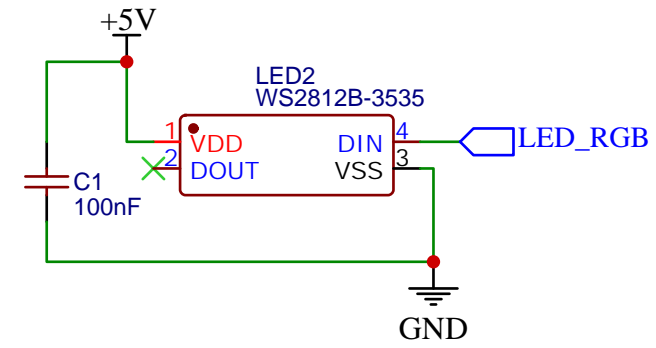
ESP32 DEVKIT V1 30 PIN MODULE



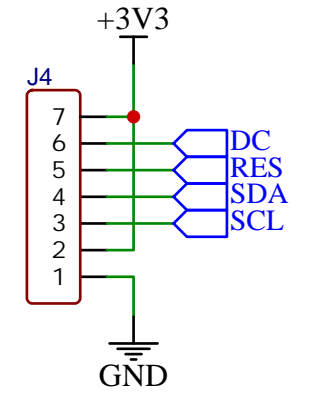
BOOST STEP-UP CONVERTER



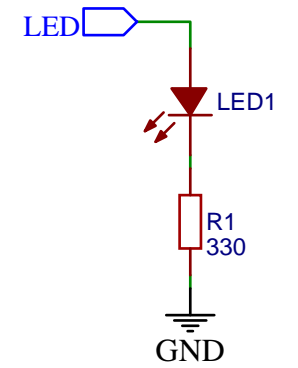
RGB LED



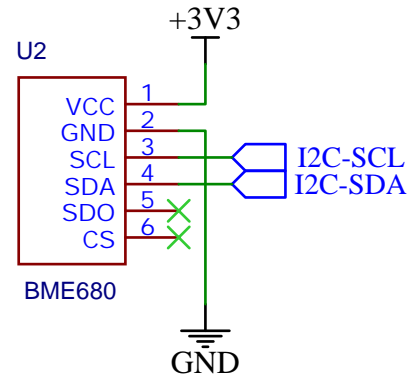
OLED DISPLAY 240x240



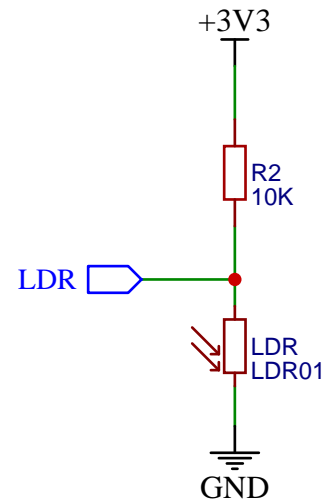
LED



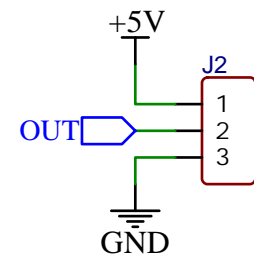
I2C SENSOR



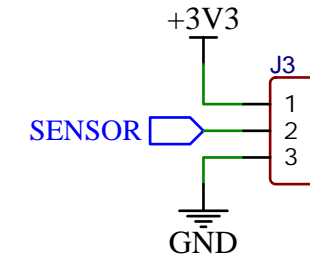
LDR SENSOR



+5V OUTPUT



+ 3.3V SENSOR



BUTTON

