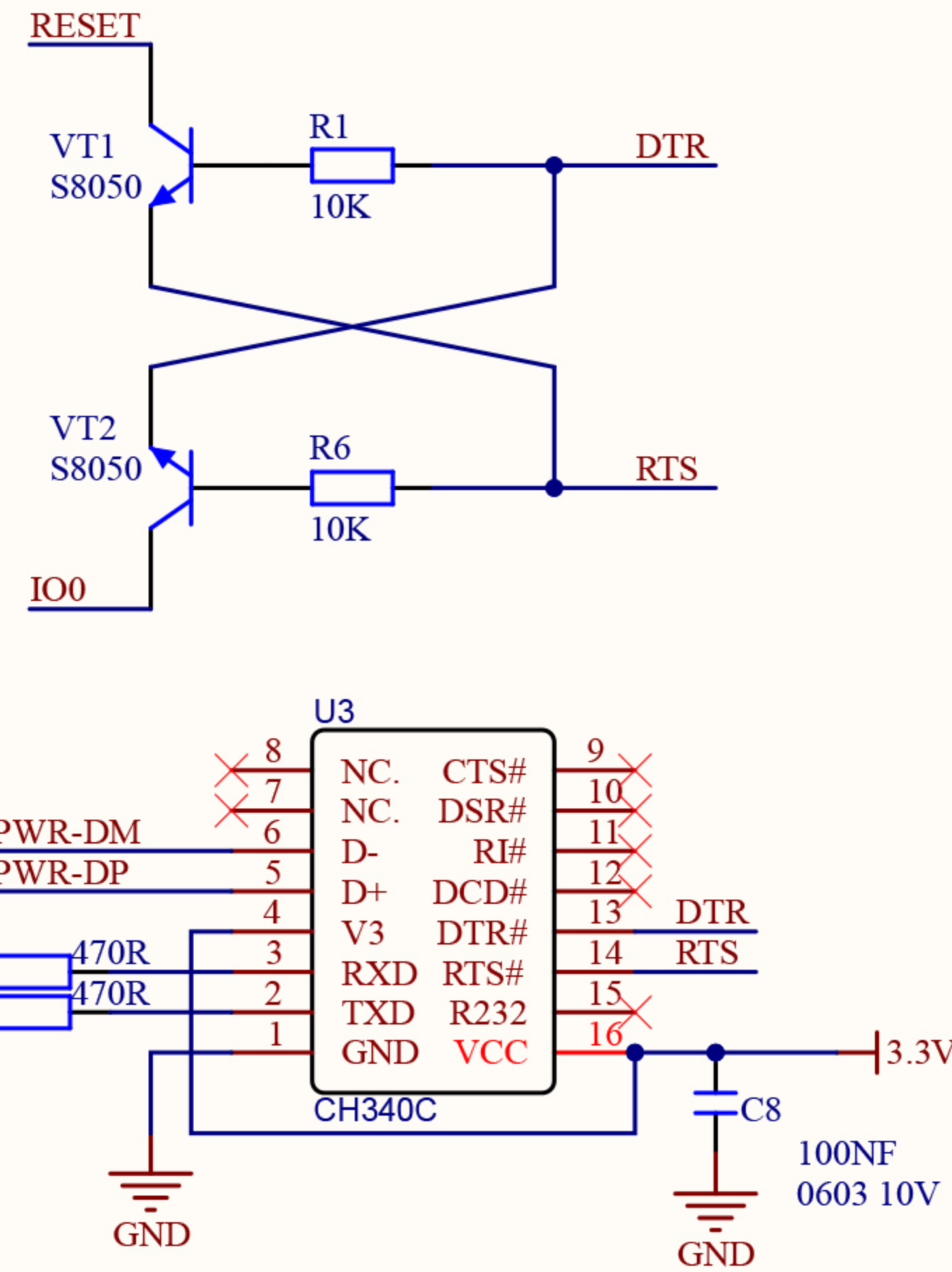
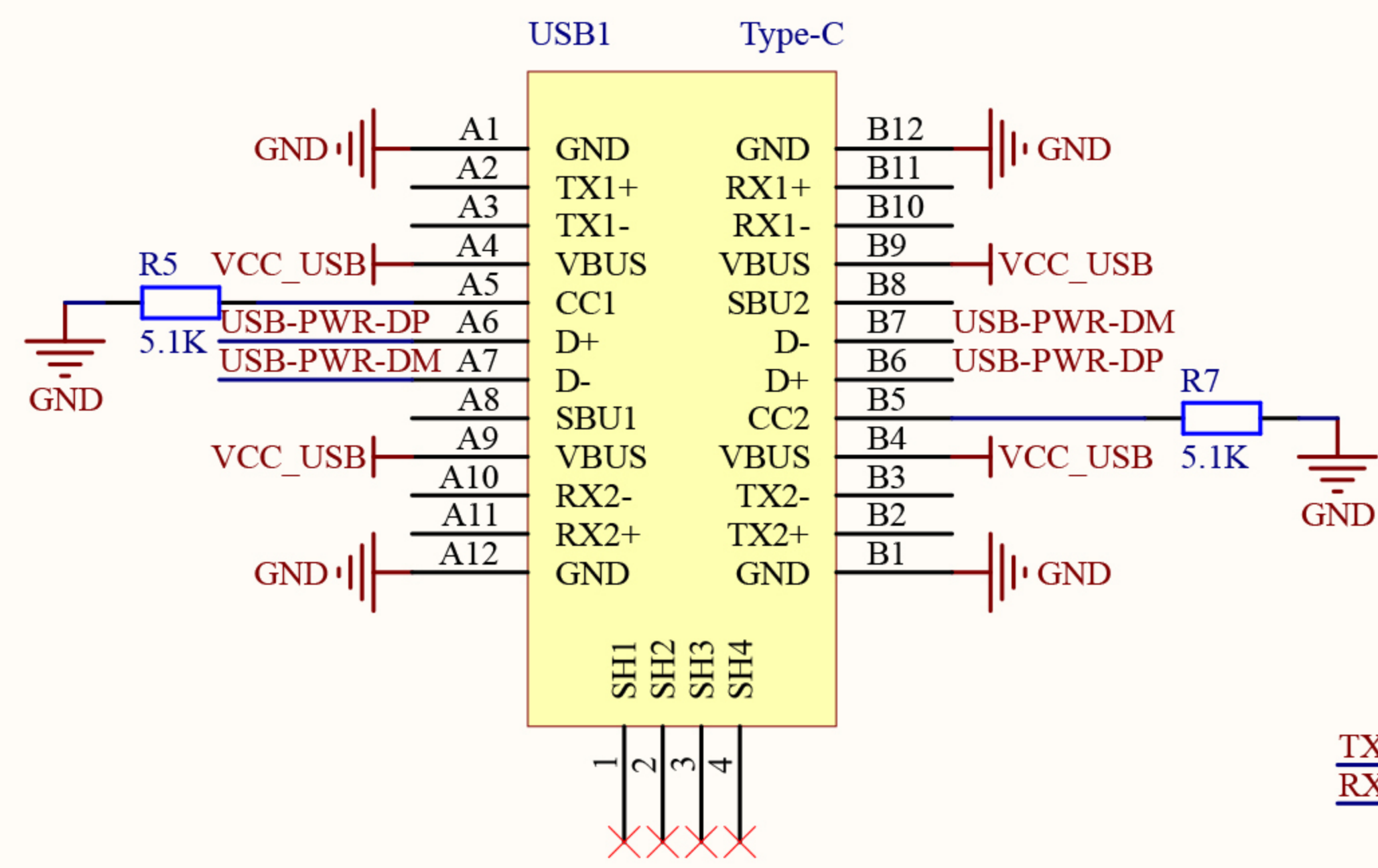
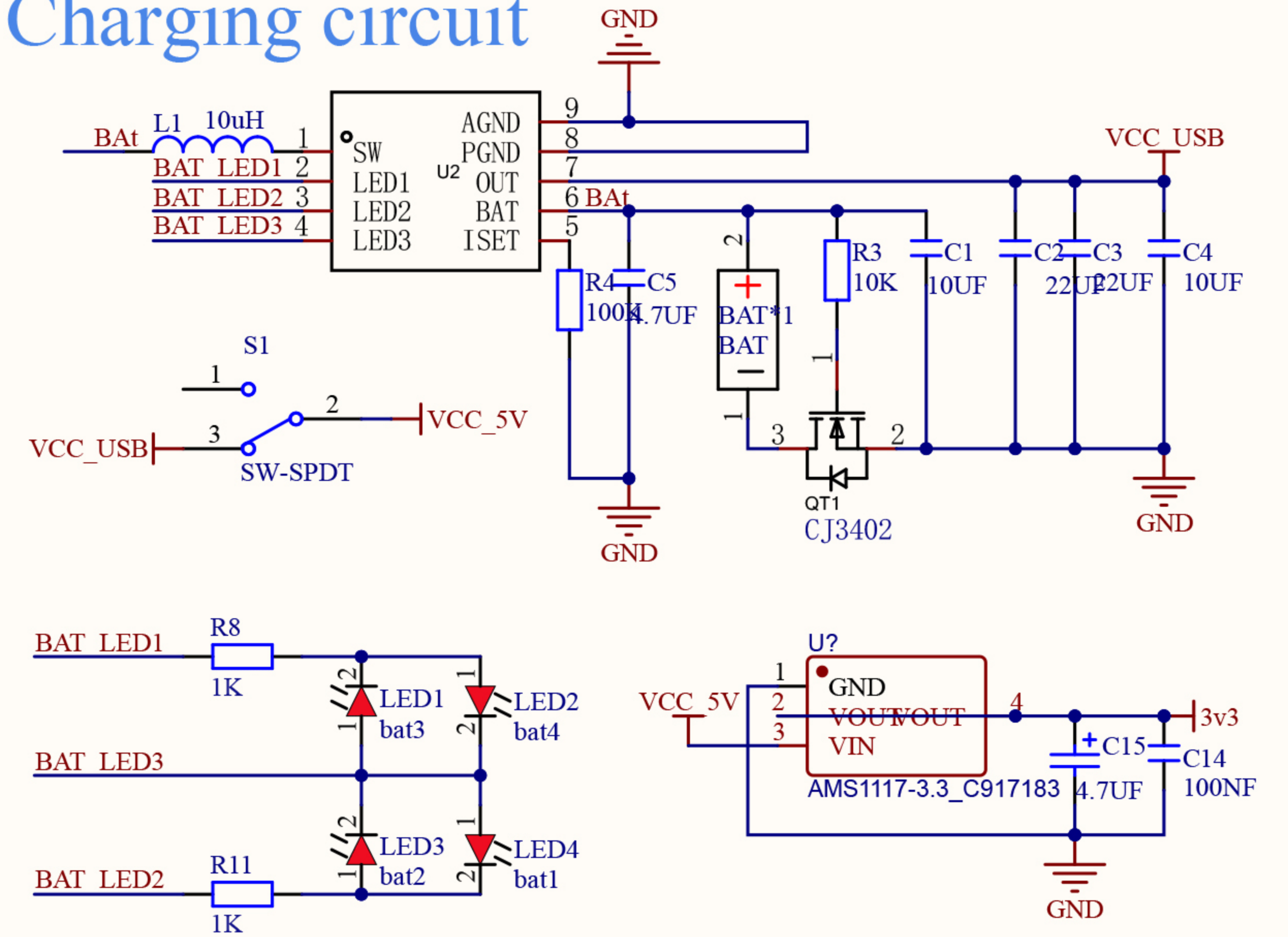


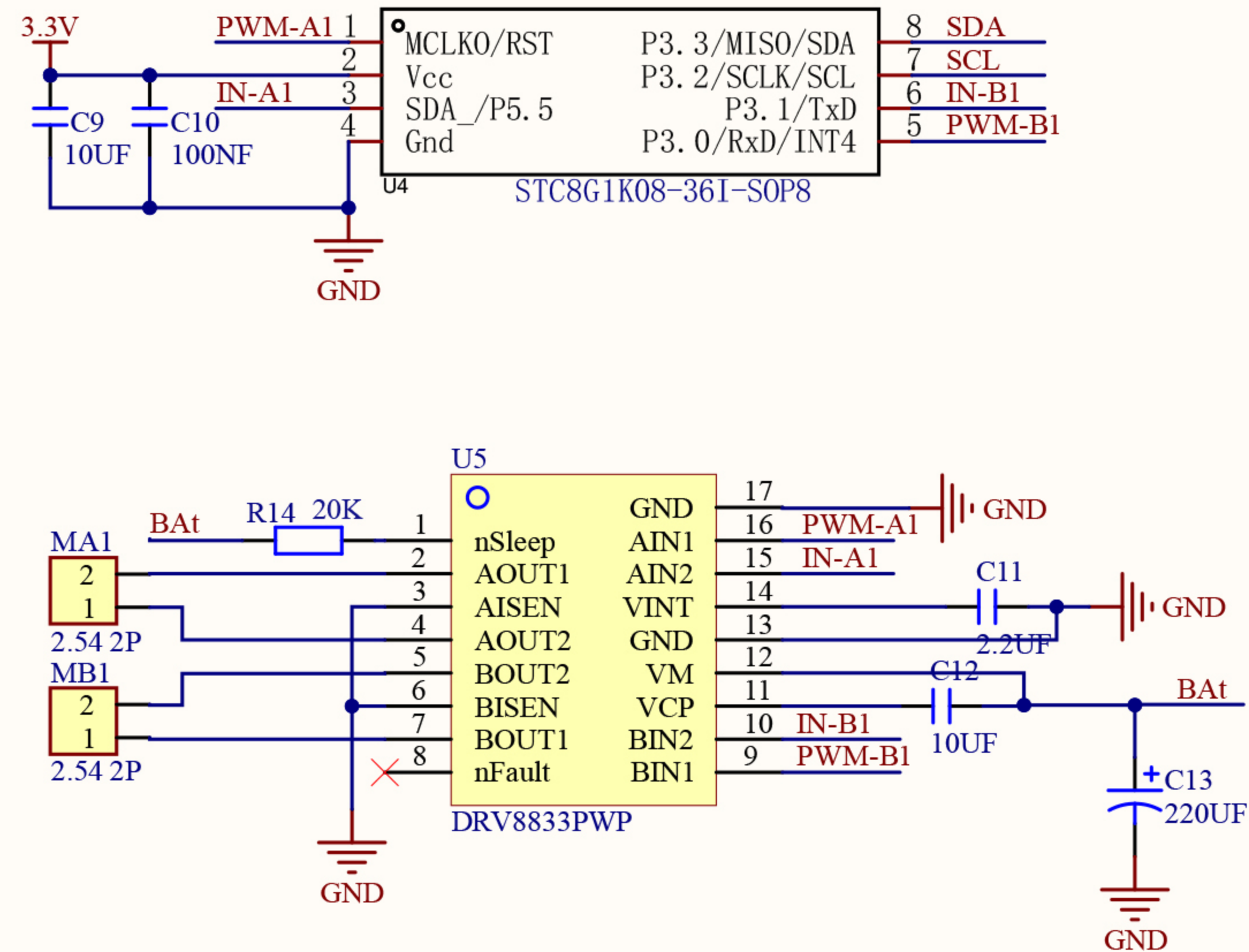
Serial port download circuit



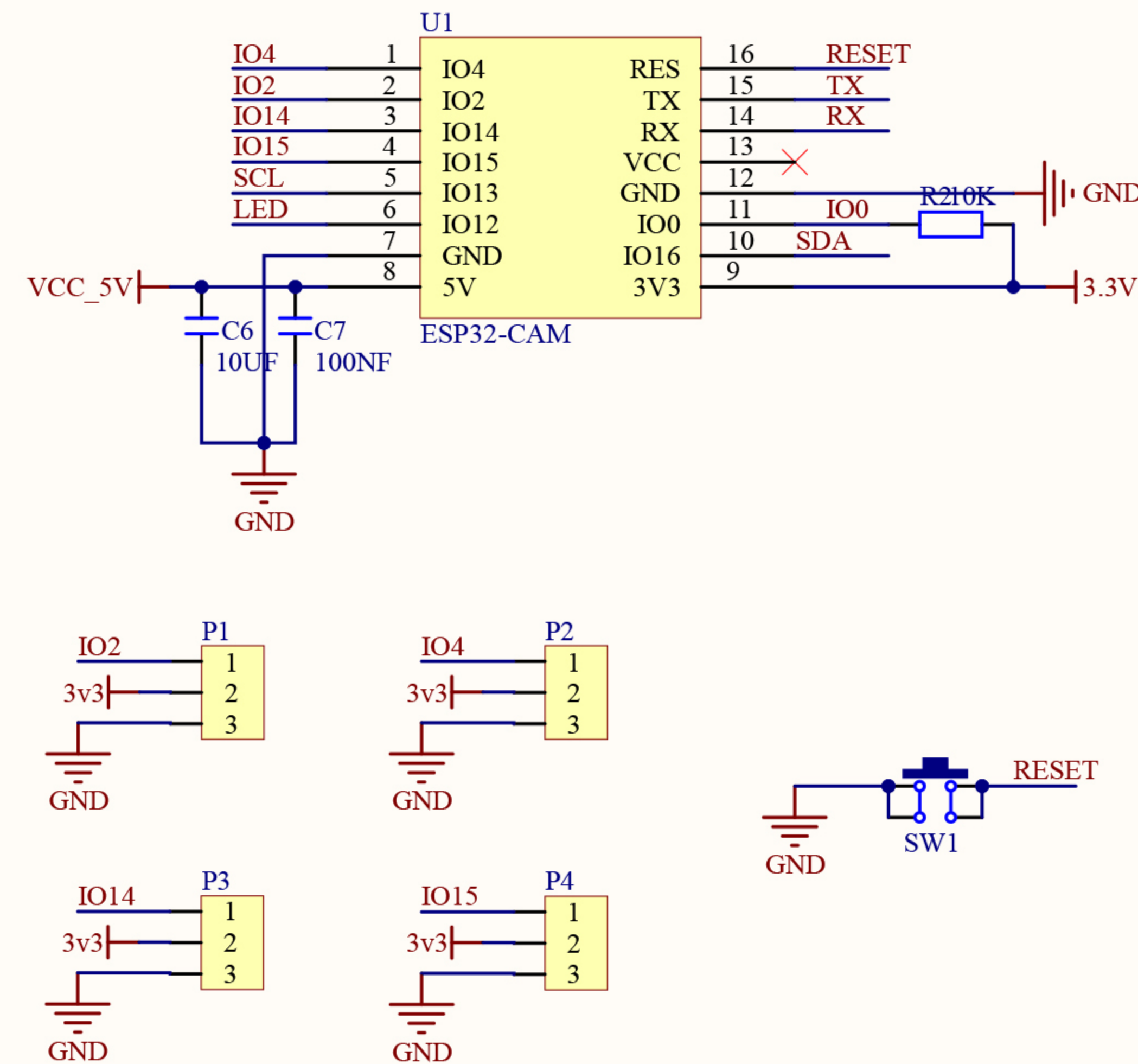
Charging circuit



Motor control circuit



ESP-CAM



LED

